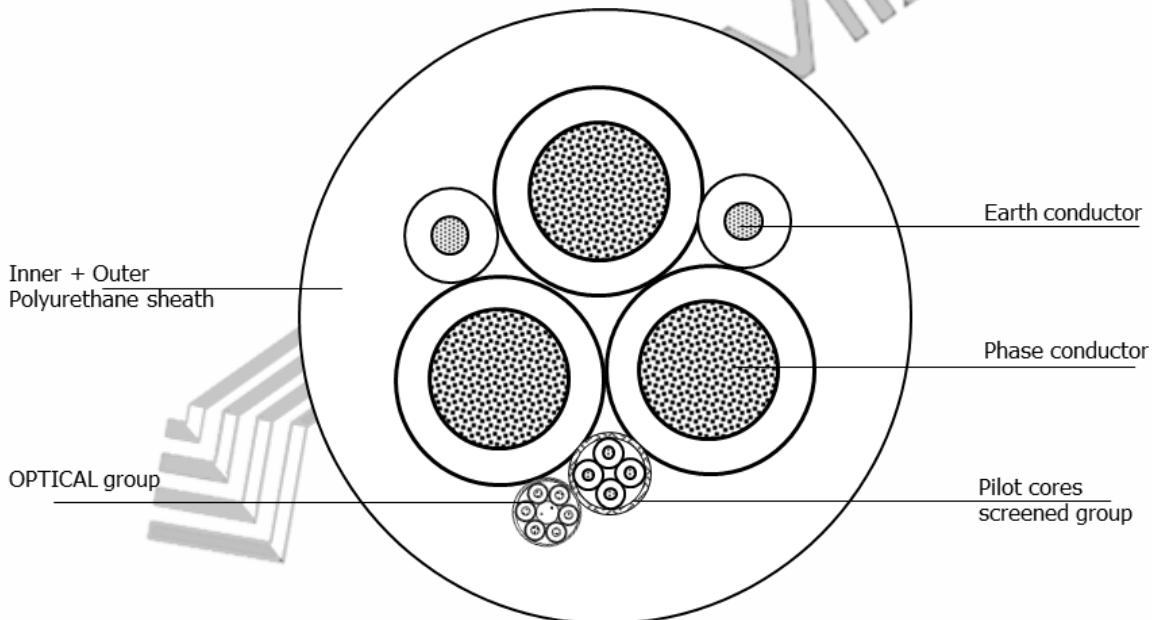


Rev. 0 12/05/2017	TECHNICAL DATA TABLE SHIP TO SHORE CONNECTION CABLE for CAVOTEC	STSX – 1 – 3118 Sheet 1 of 3
----------------------	---	-------------------------------------

CAVO TIPO / CABLE TYPE
PANZERFLEX-PUR 6/10 kV 3x185+2x50+1x(4x2.5)C+OFE 6G62.5/125
secondo norme IEC/ISO/IEEE 80005-1 / according to IEC/ISO/IEEE 80005-1 std.
per quanto applicabile / as far as applicable
per temp. ambiente non inferiore a -30°C / for ambient temp. not below -30°C

Caratteristiche costruttive / Constructional data

non in scala / not to scale



Analysis : 52102020
 PRYSMIAN Code : 20220141

Rev. 0 12/05/2017	TECHNICAL DATA TABLE SHIP TO SHORE CONNECTION CABLE for CAVOTEC	STSX – 1 – 3118 Sheet 2 of 3
----------------------	--	--

	(phases) 3x185 mm ²	(earth) 2x50 mm ²	(pilot cores) 1x(4x2.5)C mm ²	(Optical Fiber Element) 6G62.5/125						
Conductors and Optical fibers	Plain annealed copper flexible cl.5 IEC 60228	Plain annealed copper flexible cl.5 IEC 60228	Tinned annealed copper flexible cl.5 IEC 60228	TOL6D 6 6(1MM62,5/125)/T 6 tubes (1 fiber x tube) Multimode G62,5/125						
- approx. diameter	17.5 mm	9.2 mm	2 mm	8 mm						
Conductor screen	Semi conductive layer	Semi conductive layer	N/A	N/A						
Insulation / covering	HEPR 90 °C		HEPR 90 °C	N/A						
- nom. thickness	3.4 mm	1.4 mm	0.7 mm							
- approx. diameter	26.3 mm	12.2 mm	3.4 mm							
Insulation screen	Semi conductive layer	N/A	N/A	N/A						
- approx. diameter	27.3 mm									
Identification	Brown-Black-Grey	N/A	Off-White (*), printed numbers from 1 to 4	Fibers Natural Tubes Red-Blu-other Natural						
Screen	N/A	N/A	Aluminium/PET tape	N/A						
Cable	See drawing									
Inner sheath + Outer sheath (they can be in one layer)	Polyurethane (PUR) – halogen free. Nominal thickness 2.8mm Polyurethane (PUR) – BLACK colored halogen free according to EN 50363-10-2. Nominal thickness 4.2mm									
Overall Diameter	Nominal 72.0 mm / MAXIMUM 73.0 mm									
Weight (approx.)	9.7 kg/m									
Marking (Ink Jet)	PALAZZO – CAVOFLEX AMP 3x185+2x50+(4x2.5)C+6FO(62.5/125) 6/10 kV IEC 80005-1 ww/yyyy FA-n.20220141 - meter									
Electrical characteristics	<p>Rated Voltage U₀/U_m</p> <p>- phase 185 mm² 6/10 (12) kV</p> <p>- pilot 2.5 mm² 0.6/1(1.2) kV</p> <p>Test voltage A.C. (according to VDE 0250 part 813)</p> <p>- phase 185 mm² 17 kV 5 minutes</p> <p>- pilot 2.5 mm² 3.5 kV 5 minutes</p> <p>Maximum D.C. resistance at 20 °C</p> <p>- phase 185 mm² 0.106 Ohm/km</p> <p>- earth 50 mm² 0.386 Ohm/km</p> <p>- pilot 2.5 mm² 8.21 Ohm/km</p> <p>Short circuit current (1 sec., starting temp. 80 °C, final temp. 200 °C., ref. VDE 0250)</p> <p>- phase 185 mm² 23.7 kA</p> <p>Current carrying capacity at 30 °C (conductor temp. 80 °C., ref. VDE 0298)</p> <p>- phase conductors 185 mm²</p> <p style="padding-left: 20px;">stretched laying: 461 A</p> <p style="padding-left: 20px;">mono spiral or 1 layer 369 A</p> <p style="padding-left: 20px;">2 layers 281 A</p> <p style="padding-left: 20px;">3 layers 226 A</p> <p>Current carrying capacity at 45 °C (conductor temp. 90 °C)</p> <p>- phase conductors 185 mm²</p> <p style="padding-left: 20px;">Mono spiral or 1 layer 332 A</p>									
De-rating factors for varying ambient temperatures	°C	15	20	25	30	35	40	45	50	60
	k	1.14	1.10	1.05	1.00	0.95	0.89	0.84	0.77	0.63
Mechanical characteristics	<p>Minimum bending radius</p> <p style="padding-left: 20px;">Fixed installation 6 x OD</p> <p style="padding-left: 20px;">On reels (mobile installation) 12 x OD</p> <p style="padding-left: 20px;">Cable carrier chains 15 x OD</p> <p>Max permissible tensile load 11100 N</p>									
Thermal	<p>Minimum operating temperature</p> <p style="padding-left: 20px;">Fully flexible - 30 °C</p> <p style="padding-left: 20px;">Fixed installation - 40 °C</p>									

Note: cable is Halogen free (HCl >= 0.5 %) but is not to be considered not toxic

(*) Off-White means Natural uncolored compound (alternative suggested Black cores numbered 1...4)

Rev. 0 12/05/2017	TECHNICAL DATA TABLE SHIP TO SHORE CONNECTION CABLE for CAVOTEC	STSX – 1 – 3118 Sheet 3 of 3
----------------------	--	--

Optical parameters

Fiber type		Graded index fiber		Single mode fiber
		50/125	62,5/125	9/125
Max attenuation at 850 nm	dB/Km	2,8	3,0	–
Max attenuation at 1300 nm	dB/Km	0,8	0,9	–
Max attenuation at 1310 nm	dB/Km	–	–	0,4
Max attenuation at 1550 nm	dB/Km	–	–	0,3
Bandwidth at 850 / 1300 nm	MHz	≥ 400/800	≥ 160/500	–
Numerical aperture		0,200 ± 0,02	0,275 ± 0,02	–
Mode field diameter at 1310 nm	μm	–	–	9,2 ± 0,4
Chromatic dispersion at 1300 nm	ps/(nm x Km)	–	–	< 3,5
Chromatic dispersion at 1550 nm	ps/(nm x Km)	–	–	< 18